

## JCASE® Cartridge Fuse Rated 32V

RoHS

Cartridge Fuses



### Specifications

<b>Voltage Rating:</b>	32 VDC
<b>Interrupting Ratings:</b>	1000A @ 32 VDC
<b>Operating Temperature Range:</b>	-40°C to + 125°C
<b>Insertion Force:</b>	53N max. (12 lb.)
<b>Extraction Force:</b>	9N min. (2 lb.)

The JCASE is a cartridge style fuse with female terminal design. JCASE provides both increased time delay and low voltage drop to protect high current circuits. JCASE has the ability to handle inrush currents. The JCASE was designed and patented by Littelfuse.

JCASE® ist eine von Littelfuse entwickelte und patentierte Patronensicherung mit Buchsenanschlüssen. Mit größerer Zeitverzögerung, niedrigem Spannungsabfall und besserer Festigkeit gegenüber Einschaltströmen eignet sie sich besonders für Schaltkreise mit hohen Strömen.

### Time-Current Characteristics / Schmelzeit-Grenzwerte

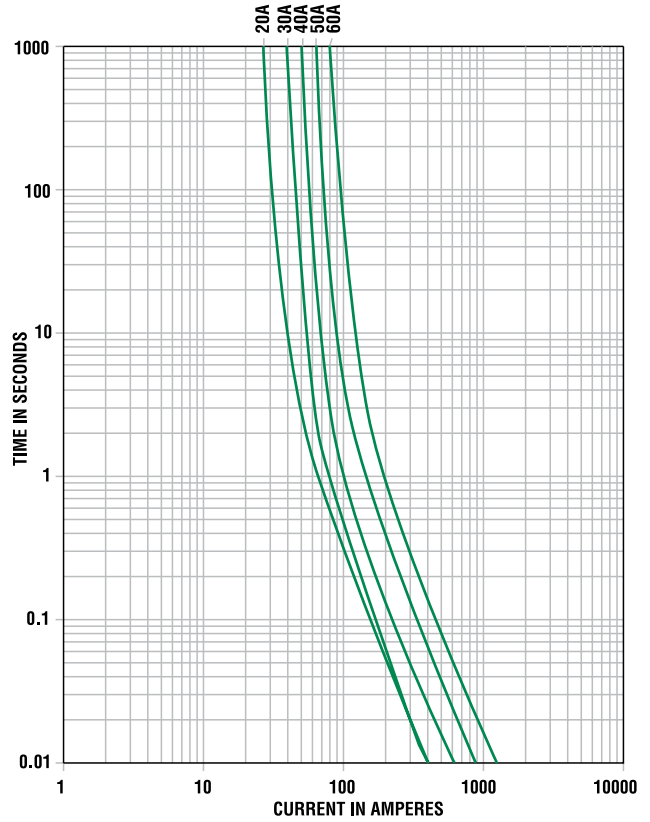
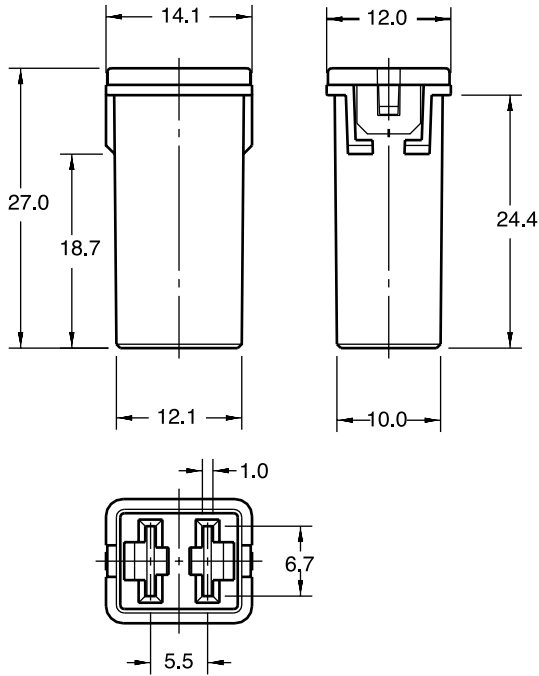
% of Rating % des Nennstromes	Opening Time Min / Max (s) Schmelzcharakteristik Min / Max (s)
110	100 h / –
135	60 s / 1800 s
200	4 s / 60 s
350	200 ms / 7 s
600	40 ms / 1 s

Part Number Artikel-Nr.	Current Rating Nennstrom	Housing Color Kennfarbe	Typ. Voltage Drop Typ. Spannungsfall	Cold Resistance Kaltwiderstand	I <sup>2</sup> t
0495020_	20 A		106 mV	4.29 mΩ	1750 A²s
0495025_	25 A		101 mV	3.28 mΩ	3220 A²s
0495030_	30 A		91 mV	2.12 mΩ	1480 A²s
0495040_	40 A		87 mV	1.30 mΩ	3650 A²s
0495050_	50 A		88 mV	0.99 mΩ	8750 A²s
0495060_	60 A		87 mV	0.76 mΩ	19500 A²s

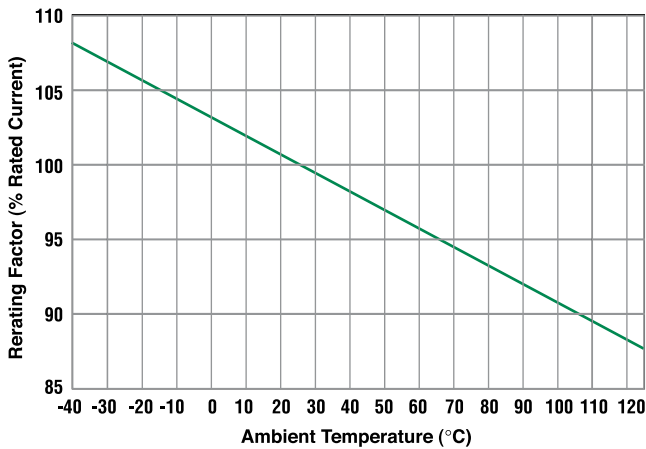
Last figure of part number = packaging code, see Section "Packaging Index," pg. 157.  
Corresponding holder see Section "Fuse Holders."

## JCASE® Cartridge Fuse Rated 32V

Dimensions in mm / Maße in mm



JCASE Fuse Series Temperature Derating Curve



Cartridge Fuses

See Section Specialty Products for JCASE® Shunt